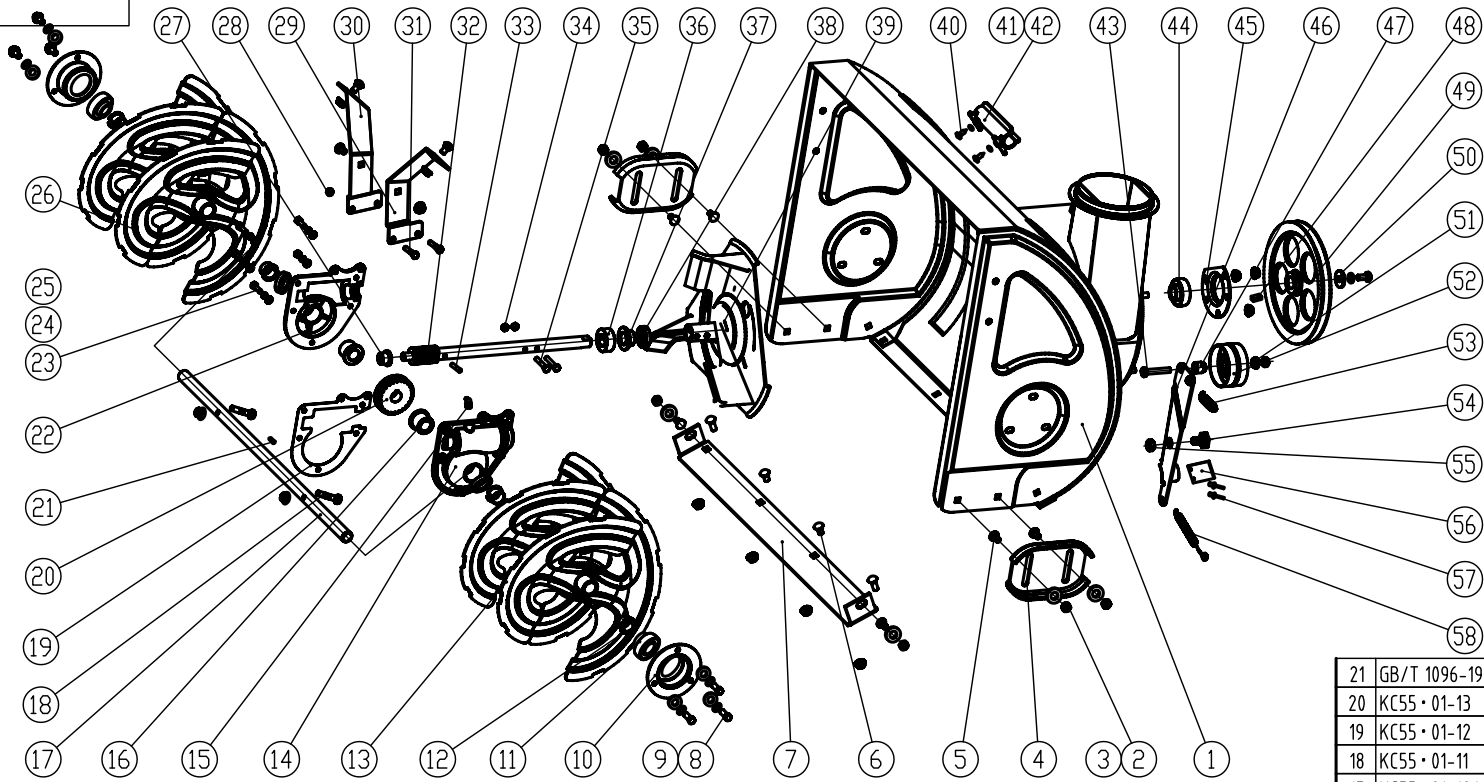


28	GB/T879-2000	Spring Pin 3X22	1						
27	KC55-17	Hollow Worm	1						
26	GB/T12-1988	carriage bolt M8X20	1						
25	KC55-16	Bevel Wheel Bracket	1						
24	KC55-15	Washer, for bevel wheel bracket	2						
23	KC55-14	Connecting Rod	1						
22	KC55-13	Belt Cover	1						
21	KC55-12	Gimbal Assembly	1						
20	KC55-29	individual pin pinchcock	2						
19	GB/T95-2002	Flat Washer 6	5						
18	GB/T93-1987	Spring Washer 6	3						
17	GB/T 5780-2000	Hexagon head bolt M6X10	3						
16	kc55-11	Burn-proof Mantle	1						
15	kc55-10	Right Angle Gimbal	1						
14	kc55-09	Connecting Rod	1						
13	KC55-08	Rocker	1						
12	KC55-07	Rocker Bracket	1						
11	KC55-06	Bracket Washer	2						
10	KC55-05	Rocker Handle	1						
9	GB/T 6183.1-2000	Hexagon head screw with metal insert M8	1						
8	KC55-04	Plastic Nut Housing	4						
7	KC55-03-00ES(D)	Handle Assembly	1						
6	GB/T 41-2000	Hexagon Nut M8	1						
5	GB/T 6183.1-2000	Hexagon head screw with metal insert M8	9						
4	GB/T12-1988	carriage bolt M8X50	4						
3	KC55-02-00AS	Moving Assembly	1						
2	V13X885	Belt	1						
1	KC55-01-00A	Throwing Assembly	1						

36	GB/T 818-2000	Flat head screws with cross recessed PAN10	6						
35	KC55-22	Guard Rail	1						
34	KC55-21	Chute Assembly	1						
33	GB/T 889.1-2000	hexagon nut with non-metallic insert M8	2						
32	GB/T12-1988	carriage bolt M6X20	2						
31	KC55-20	Chute Cap	1						
30	KC55-19	Bolt	1						
29	KC55-18	Chute Tension Spring	1						
42	KC55-25	Plastic Nut	4						
41	KC55-24	Snow Removal Tool	1						
40	KC90-12	Belt Baffle	1						
39	GB/T95-2002	Flat Washer 8	1						
38	GB/T 5780-2000	Hexagon head screws M8X20	1						
37	KC55-23	Fixed Block	3						

DRAWN	DATE		
CHECKED			
QA			
MFG		SIZE	FSCM NO.
APPROVED		A2	
		DWG NO.	KC55-00AES(D)
		SCALE	1:2
		REV	
		SHEET	



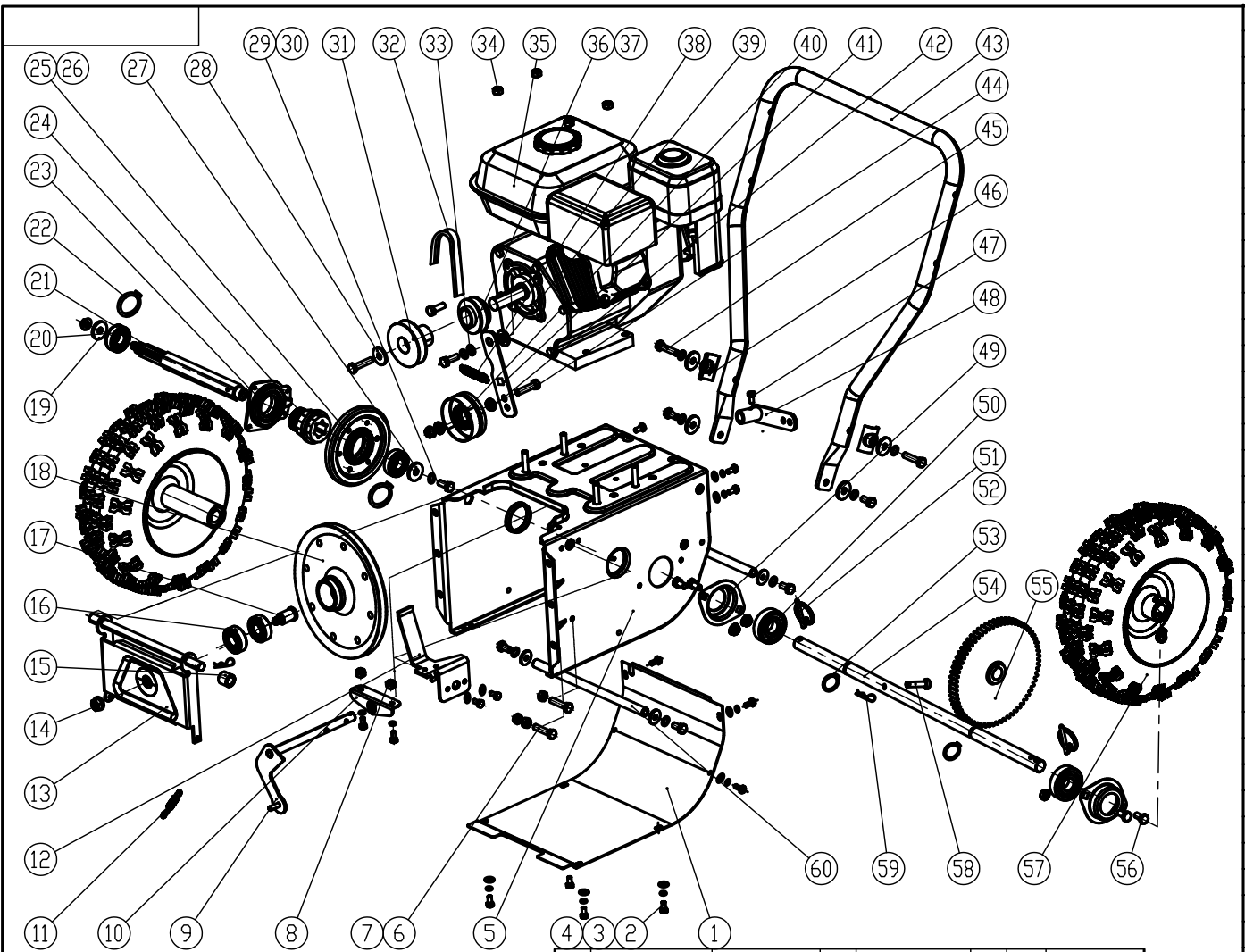
21	GB/T 1096-1979	Parallel keyB5X5X15	1						
20	KC55-01-13	Worm Gear	1						
19	KC55-01-12	Paper Washer	1						
18	KC55-01-11	Hexagon Screw	2						
17	KC55-01-10A	Output Shaft (620)	1						
16	KC55-01-09	Output Shaft Sleeve(Ø19)	2						
15	GB1153-89	Forced Filling Oil Cup 90°M6	1						
14	KC55-01-08	Worm Housing,Right	1						
13	KC55-01-07A	Auger,Right	1						
12	KC55-01-06	Bushing,for Drive Shaft	4						
11	KC55-01-05	Bearing	2						
10	KC55-01-04	Bearing Cover	2						
9	GB/T93-1987	Spring washer 8	7						
8	GB/T 5780-2000	Bolt M8X15	7						
7	KC55-01-03A	Shave Plate,Long(620)	1						
6	GB/T12-1988	Carriage Bolt M8X15	5						
5	GB/T12-1988	Carriage Bolt M8X20	8						
4	KC55-01-02	Slide Shoe	2						
3	GB/T96.1-2002	Big Washer 8	12						
2	GB/T 889.1-2000	Hexagon Head Bolt M6X20	19						
1	KC55-01-01A	Housing Assembly (620)	1						

42	KC55-01-21	Bracket, For Snow Removal Tool	1						
41	GB/T95-1985	Flat Washer 6	2						
40	GB/T845-1985	Flat Washer 6 with increased O.D.	2						
39	KC55-01-20	Fan	1						
38	GB 13871-1992	Sealing Ring B 20 35	3						
37	KC55-01-19	Bushing, Worm Shaft 1	1						
36	KC55-01-18	Collar,For Worm Shaft	1						
35	GB/T 5780-2000	Hexagon Head Bolt M6X35	2						
34	GB/T6182-2000	Hexagon Nut with nonmetal insert M6	3						
33	GB/T879-2000	Spring Bolt 6X30	1						
32	KC55-01-17	Worm Shaft	1						
31	GB/T 5780-2000	Hexagon Head Bolt M6X35	2						
30	KC90-01-07	Chair, Left	1						
29	KC90-01-06	Chair, Right	1						
28	GB/T 889.1-2000	Hexagon Nut with nonmetal insert M6	2						
27	KC55-01-16	Bushing, Worm Shaft 2	1						
26	KC55-01-15A	Auger, Left	1						
25	GB/T95-1985	Flat Washer 6	5						
24	GB/T93-1987	Spring Washer 6	5						
23	GB/T5780-2000	Hexagon Head Bolt M6X20	5						
22	KC55-01-14	Worm Housing,Left	1						

58	KC55-01-31	Spring 5	1						
57	GB/T12618-1990	Open Type Blind Rivet 4X10	2						
56	KC55-01-30	Brake Plate	1						
55	GB/T6183-2000	Hexagon Head Bolt M6X20	1						
54	KC55-01-29	Hexagon Screw	1						
53	KC55-01-28	Auger Pull Wire	1						
52	KC55-01-27	Big Tension Pulley	1						
51	KC55-01-26	Gasket	3						
50	GB/T5287-2002	Jumbo Flat Washer 8	1						
49	KC55-01-25	Belt Pulley	1						
48	GB/T 1096-1979	Parallel Key B6X6X22	1						
47	KC55-01-24	Washer	1						
46	KC55-01-23	Fixed Plate	1						
45	KC55-01-22	Bearing Housing	1						
44	6204S-2Z-WB1	Ball Bearing	1						
43	GB/T 5780-2000	Hexagon Head Bolt M8X40	1						

借通用件登记  
描图  
校描  
旧底图总号  
签字  
日期

DRAWN		DATE	
CHECKED			
DIA			
MFG			
APPROVED			
SIZE 自定式	FIG. NO.	DWG. NO. KC55-01A	REV
SCALE 1:3			SHEET

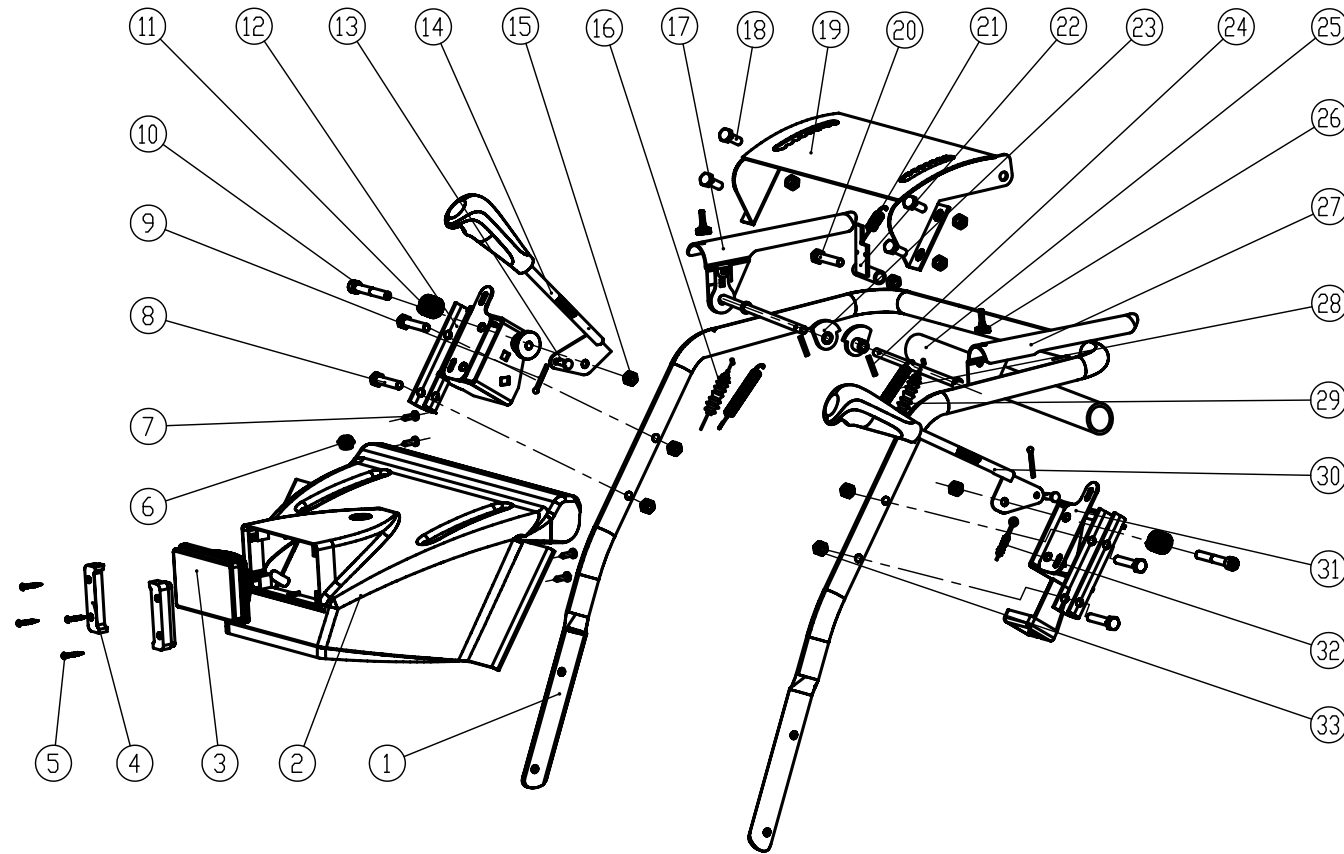


57	145/70-6	Tyre	2						
56	GB/T 5781-2000	Hexagon Head Bolt M8X15	4						
55	KC55-02-30	differential	1						
54	KC55-02-29A	Drive Shaft	1						
53	GB894.2-86	circlip, for shaft 19	2						
52	KC55-02-28	Spring Ring	2						
51	KC55-02-27	Spring Bolt	2						
50	6304-2RS	Ball Bearing	2						
49	KC90.02-11	rhombus bearing housing	2						
48	KC55-02-26S	Gear Connector	1						
47	GB/T 5781-2000	Hexagon Head Bolt M6X20	1						
46	KC55-02-25	Gasket	2						
45	GB/T 5781-2000	Hexagon Head Bolt M8X45	2						
44	GB/T 5781-2000	Hexagon Head Bolt M8X35	1						

60	KC55.02-40	Strut Bar	2						
59	KC55-29	individual pin pinchcock	2						
58	KC55.02-41	Pinned shaft with whole	1						

43	KC55-02-24	Armrest	1						
42	KC55-02-23	Pad	2						
41	KC55-02-22	Small Tension Plate	1						
40	KC55-02-21	Small Tension Pulley	1						
39	KC55-02-20	Pad For small tension pulley	1						
38	KC55-02-19	Spring 3	1						
37	KC55-02-18	Belt Wheel Turntable 2	1						
36	KC55-02-17	Belt Wheel Turntable 1	1						
35	G200F	Engine	1						
34	GB/T 6183.1-2000	Hexagon head bolt with metal insert	9						
33	GB/T95-1985	Flat Washer	8						
32	750-5M-15	synchronous belt	1						
31	KC55-02-16	Belt Pulley 2	1						
30	GB/T93-1987	Spring Washer	8						
29	GB/T 5781-2000	Hexagon Head Bolt M8X20	5						
28	GB/T5287-2002	Jumbo Washer	8						
27	GB/T96.1-2002	Big Wahser	8						
26	KC55-02-15-1	Big Washer, Gear Box	2						
25	KC55-02-15-2	Rubber Ring, Gear Box	1						
24	KC55-02-15-3	Gear Box	1						
23	KC55-02-15-4	Gear Box Cover	2						
22	GB894.2-86	circlip, for shaft 40	1						
21	KC55-02-14	Hexagon transmission shaft	1						
20	6202-2ZN	Ball bearing	2						
19	GB/T96.1-2002	Big Washer 10	1						
18	KC55-02-13	Big Belt pulley							
17	KC55-02-12	Drive Belt Pulley	1						
16	6003-2RS	Ball Bearing	2						
15	KC55-02-10	Spacer	1						
14	GB/T6183-2000	Hexagon head bolt with metal insert	2						
13	KC55-02-09	Bracket, for belt pulley	1						
12	KC55-02-08	Belt Baffle	1						
11	KC55-02-07	Spring 6	1						
10	KC55-02-06	Right Angle Metal Block	1						
9	KC55-02-05	Shifting Fork	1						
8	GB/T 70.1-1985	Hexagon socket cap screws M6X8	4						
7	GB/T 889.1-2000	Hexagon Nut (with nonmetal insert) M6	3						
6	GB/T5781-2000	Hexagon Head Bolt M6X35	2						
5	KC55-02-02	Wheel Box	1						
4	GB/T95-1985	Flat Washer	6						
3	GB/T93-1987	Spring Washer	6						
2	GB/T5781-2000	Hexagon Head Bolt M6X10	17						
1	KC55-02-01	Cover, Frame	1						
序号	代号	名称	数量	材料	单件重量	总计重量	备注		

DRAWN	DATE			
CHECKED				
QA				
MFG		SIZE A2	FSCM NO.	DWG NO. KC55-02AS
APPROVED		SCALE 1:5	SHEET	



33	GB/T6183.1-2000	Hexagon head screw with metal insert M8	4				
32	KC55-03-21	Pull Wire, For Chute Cap	1				
31	KC55-03-20	Fixed Plate, Left	1				
30	KC55-03-19	Regulating Handle For Chute Cap	1				
29	KC55-01-28	Auger Pull Wire	1				
28	KC55-03-17	Spring, For Handle	2				
27	KC55-03-16B	Handle, Left	1				
26	KC55-03-15	Rubber pad	2				
25	KC55-03-14	Slipcover	1				
24	GB/T879-2000	Spring Bolt 3X15	2				
23	KC55-03-13	Cam	1				
22	KC55-03-12	Stopping Part	1				
21	KC55-03-11	Stopping Spring	1				
20	GB/T 5780-2000	Hexagon Head Bolt M8X60	1				
19	KC55-03-10	Panel	1				
18	GB/T 5780-2000	Hexagon Head Bolt M8X15	4				
17	KC55-03-09B	Handle Right	1				
16	KC55-03-08	Moving Pull wire	1				
15	GB/T 889.1-2000	Hexagon Nut with Metal Insert M8	7				
14	KC55-03-07	Gear Regulating Part	1				
13	KC55-03-06	Pull Wire Bolt	2				
12	KC55-03-05	Fixed Plate, Right	1				
11	KC55-03-04	Pre-tighten Spring	2				
10	GB/T 5780-2000	Hexagon head screw M8X50	2				
9	GB/T91-2000	Cotter Pin 3.2X20	2				
8	GB/T5780-2000	Hexagon Head Bolt M8X40	4				
7	GB/845-1985	Cross recessed Pan head screw M5X10	4				
6	HY64	Arc Switch	1				
5	GB/T846-1985	Cross recessed counter sink head screw S1.2X20	4				
4	KC55-03-03	Holder Block, For Light Bracket	2				
3	H3 12V 55W	Light	1				
2	KC55-03-02	Deluxe Panel	1				
1	KC55-03-01	Handle, Upper	1				

	DRAWN	DATE			
	CHECKED				
	QA				
	MFG		SIZE	FORM NO.	DWG NO.
	APPROVED		A2		KC55-03ES<D>
			SCALE	1:2	SHEET